

### Application:

The Oventrop boiler connection system “Regumat-130” DN 20 - pump length 130 mm - allows for a time-, cost- and space-saving connection of the boiler to the pipework. The “Regumat-130” stations are available with or without high-efficiency pumps.

### Advantages:

- pre-assembled connection system for pumps with a length of 130 mm
- high quality materials
- universal thermal insulation of modular construction supplied with each “Regumat”
- easy installation by use of tailpipe sets
- no hemp sealing
- integrated wall mounting device
- supply and return pipe can be changed on site

### Choice of the “Regumat-130” stations:

#### Product assembly DN 20 for pump length 130 mm

The “Regumat-130” is available with or without high-efficiency pump

- as basic model (without mixing valve)
- as model with three-way mixing valve with check valve and actuator

Dimensions: H = 360 mm, W = 230 mm , D = 190 mm



“Regumat M3-130” DN 20

	Model <u>without</u> mixing valve	Model <u>with</u> mixing valve
	“Regumat S-130”	“Regumat M3-130”
Isolation device with 2 ball valves, 2 thermometers and wall mounting device	X	X
Return pipe with check valve	X	
Distance piece	X	
Three-way mixing valve with check valve and actuator (suitable for standard boiler regulations)		X
Thermal insulation	X	X

Tailpipe sets are available as accessories.

**Tender specification: "Regumat S-130" DN 20 - constant temperature heating circuit**

Product assembly for the connection of the boiler to the pipework.

Consisting of: Isolation device with 2 ball valves for the isolation of the heating circuit, 2 thermometers integrated in the handles of the ball valves for flow and return temperature display and wall mounting device, flanged pipe with check valve in the return pipe to avoid gravity circulation as well as universal thermal insulation of modular construction.

**Materials:**

Valves and fittings: Brass  
Seals: EPDM

**Connections:**

To heating circuit: G 1 male thread, flat sealing  
To boiler: G 1 male thread, flat sealing  
Pump: G 1 male thread, flat sealing

**Technical data:**

Nominal size: DN 20  
Max. operating pressure: 10 bar (PN10)  
Max. operating temperature: 95 °C  
Opening pressure check valve: 20 mbar  
k<sub>vs</sub> value: 5.8  
Recommended application range: max. 42 kW  
( $\Delta T = 20 \text{ K}$ ,  $\Delta p = 100 \text{ mbar}$ )

**Models:**

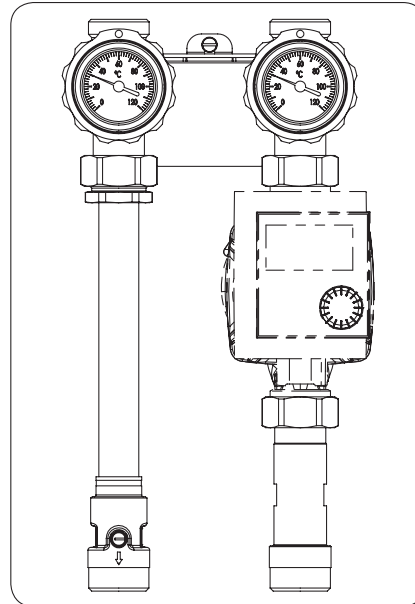
without high-efficiency pump	<b>Item no.:</b> 1355051
with high-efficiency pump (EEI ≤ 0.2)	
Grundfos ALPHA 2.1 15-60	1355057
Wilo-Stratos PICO 15/1-6	1355059

**Function:**

The station "Regumat S-130" for the isolation of the heating circuit consists of an isolation device with thermometers integrated in the handles of the ball valves and a distance piece for length compensation in the supply pipe. The flanged pipe with check valve integrated in the return pipe avoids gravity circulation.

**Note:**

When the high-efficiency pump is switched off, a low gravity circulation depending on the circulation pressure is still possible within the heating system as the check valve is not tight sealing. On delivery, the supply pipe is on the right hand side. If required, the supply and the return pipe can be changed on site (see installation instructions). To avoid malfunctions caused by impurities, the installation of an Oventrop strainer is recommended. The installation has to be flushed thoroughly before commissioning.



"Regumat S-130"

**Tender specification: "Regumat M3-130" DN 20 - variable temperature heating circuit**

Product assembly for the connection of the boiler to the pipework.

Consisting of: Isolation device with 2 ball valves for the isolation of the heating circuit, 2 thermometers integrated in the handles of the ball valves for flow and return temperature display and wall mounting device, three-way mixing valve with check valve and mounted actuator as well as universal thermal insulation of modular construction.

**Materials:**

Valves and fittings: Brass  
Seals: EPDM

**Connections:**

To heating circuit: G 1 male thread, flat sealing  
To boiler: G 1 male thread, flat sealing  
Pump: G 1 male thread, flat sealing

**Technical data:**

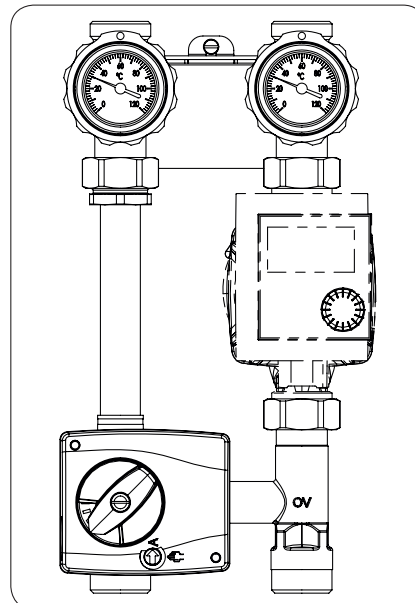
Nominal size: DN 20  
Max. operating pressure: 10 bar (PN10)  
Max. operating temperature: 95 °C  
Opening pressure check valve: 20 mbar  
Actuator: 230 V, 90°/140 sec., 5 Nm  
k<sub>vs</sub> value: 5.1  
Recommended application range: max. 37 kW  
( $\Delta T = 20 \text{ K}$ ,  $\Delta p = 100 \text{ mbar}$ )

**Models:**

without high-efficiency pump	<b>Item no.:</b> 1355251
with high-efficiency pump (EEI ≤ 0.2)	
Grundfos ALPHA 2.1 15-60	1355257
Wilo-Stratos PICO 15/1-6	1355259

**Function:**

The "Regumat M3-130" has the same design and function as the "Regumat S-130". It is additionally equipped with a three-way mixing valve with check valve and actuator. The three-way mixing valve serves to control the flow temperature.



"Regumat M3-130"



